



**2024  
OFFER**



NEW . . . . .	pages 2-8
BP BALL POOL . . . . .	pages 9 - 16
SM DOUBLE SOFA . . . . .	pages 17 - 28
FBY ARMCHAIR . . . . .	pages 29 - 40
FBR FOLDABLE ARMCHAIR . . . . .	pages 41 - 44
ZROBO ROBO SET . . . . .	pages 45 - 49





# *Dreamily* WOODLAND



product code FBY55



product code SM25

# Flower FESTIVAL



product code FBY47



product code FBY48



product code FBY49



# forest FRIENDS



product code SM22



product code FBY39



# CATS & MILK



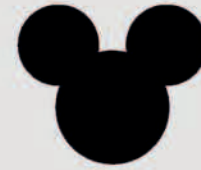
product code SM21



product code FBY38



product code BP13



# MINNIE MOUSE



product code SM23



product code FBY40



*Make a wish*



product code SM8



product code FBY16



product code BP14





# BPBALL POOL

NEW



product code BP15



product code BP16



product code BP17



product code BP18





product code BP11



product code BP12



product code BP13



product code BP14



product code BP04



product code BP05



product code BP06





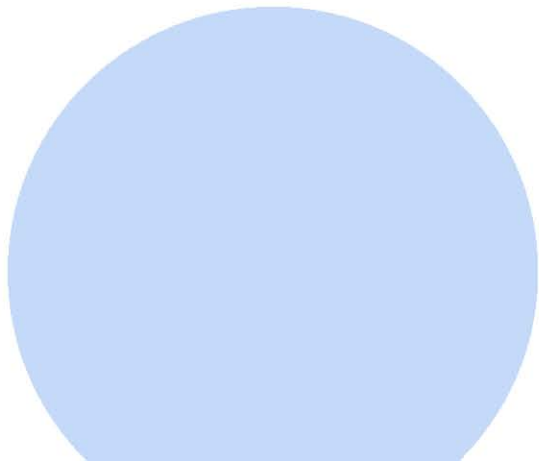
product code BP01



product code BP02



product code BP03





product code BP07



product code BP08



product code BP09



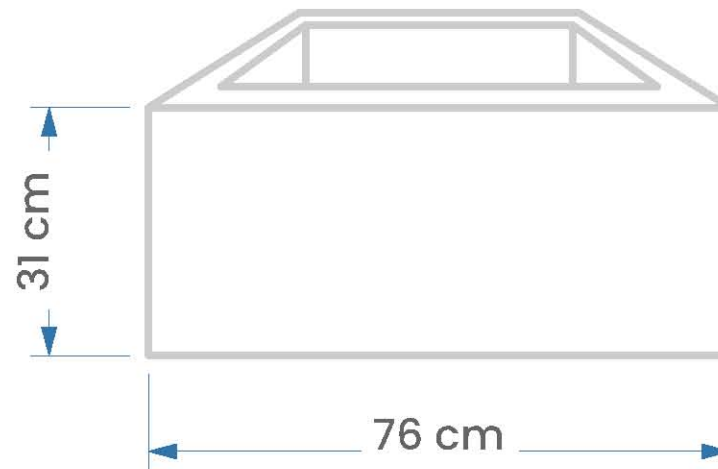
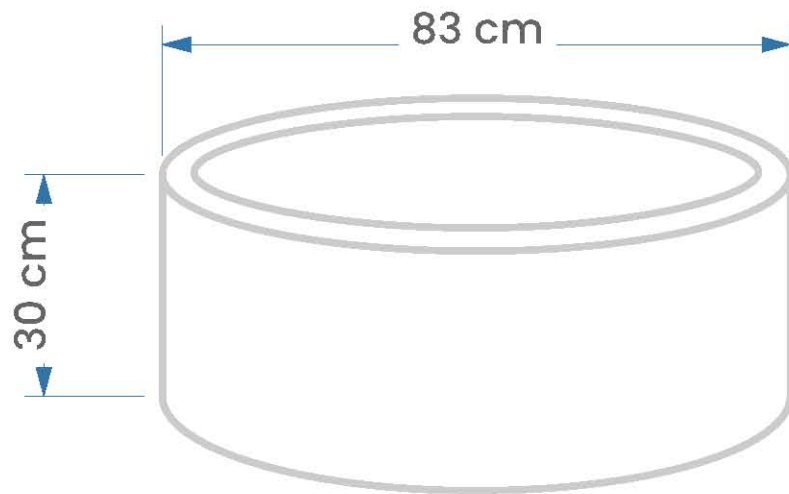
product code BP10



Ballpool specification:

ROUND POOL - 83x30, weight 2,30 kg

SQUARE POOL - 76x76x31, weight 2,30 kg



PACKED IN POLYBAG  
AND CARDBOARD BOX



Custom sizes  
on special request.



We offer high quality plastic balls with CE certificate.

Balls 7 and 6 cm available in multiple colours. Produced in Poland.



FIREPROOF  
POLYURETHANE  
FOAM



CERTIFIED TEXTILES  
**OEKO-TEX®**  
CONFIDENCE IN TEXTILES  
**STANDARD 100**







# SM DOUBLE SOFA



product code SM24



product code SM25



product code SM22



product code SM26





product code SM27



product code SM28



product code SM29



product code SM40



product code SM21



product code SM8



product code SM44



product code SM23





product code SM36



product code SM42



product code SM43



product code SM35



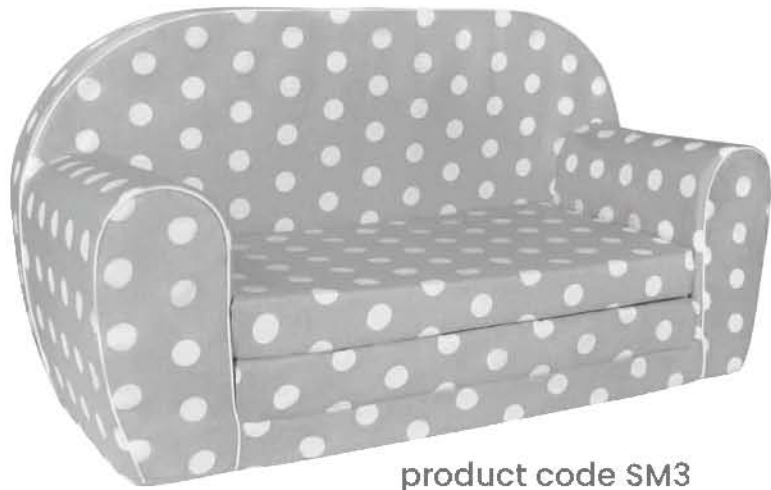
product code SM37



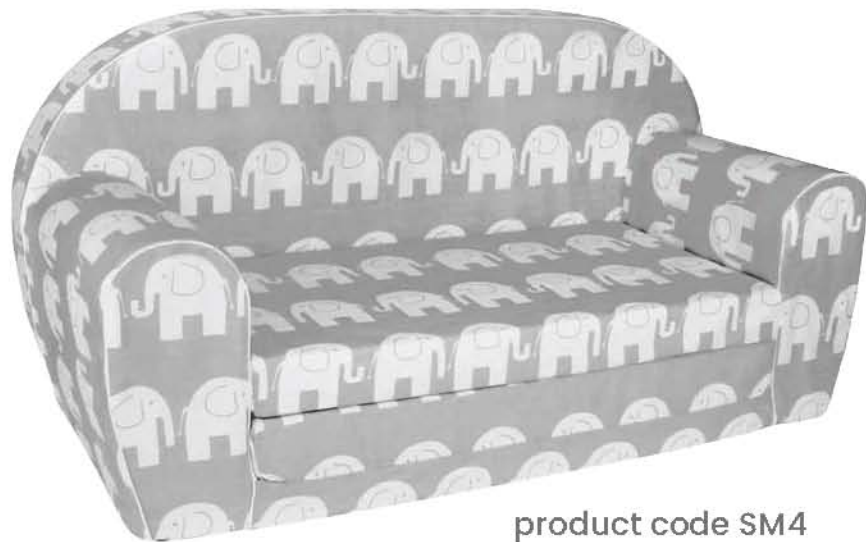
product code SM38







product code SM3



product code SM4





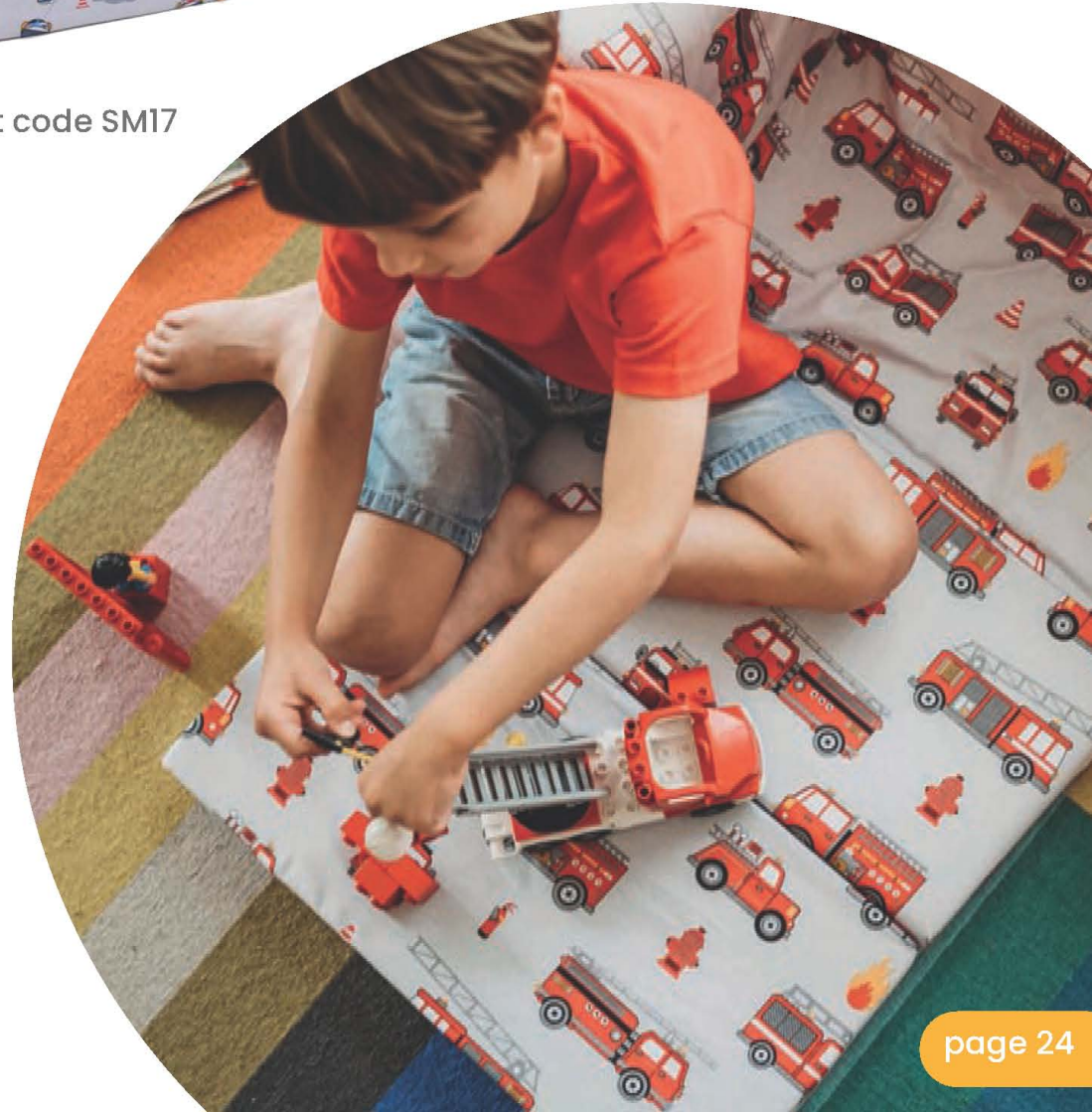
product code SM17



product code SM15



product code SM19







product code SM13



product code SM31



product code SM41



product code SM7



product code SM39



product code SM16

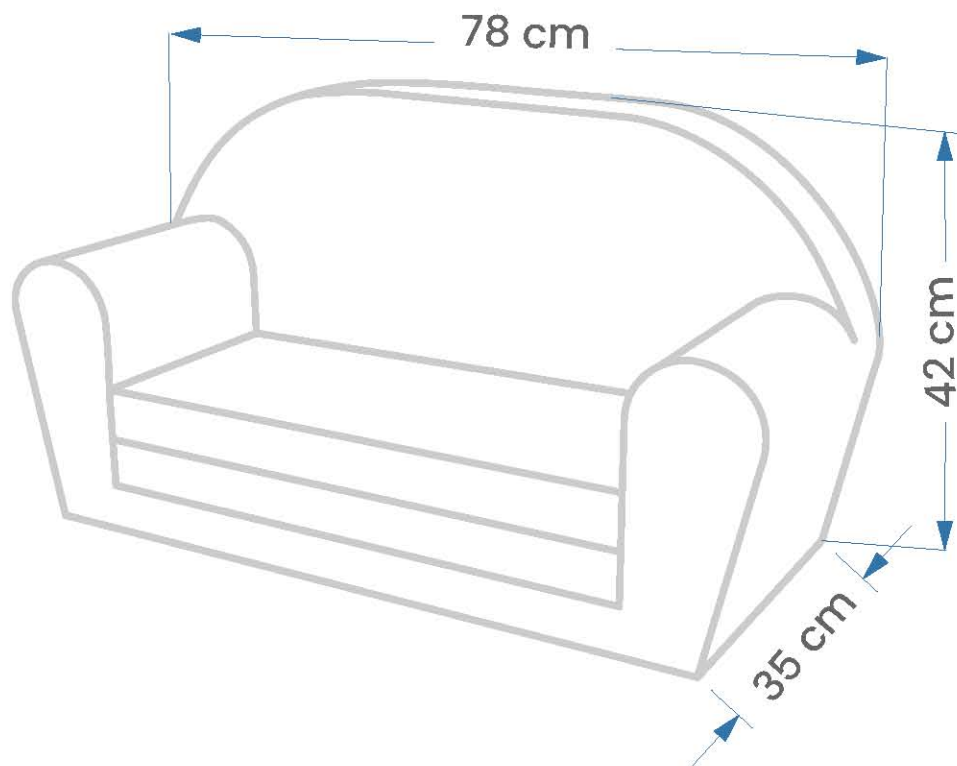


product code SM34

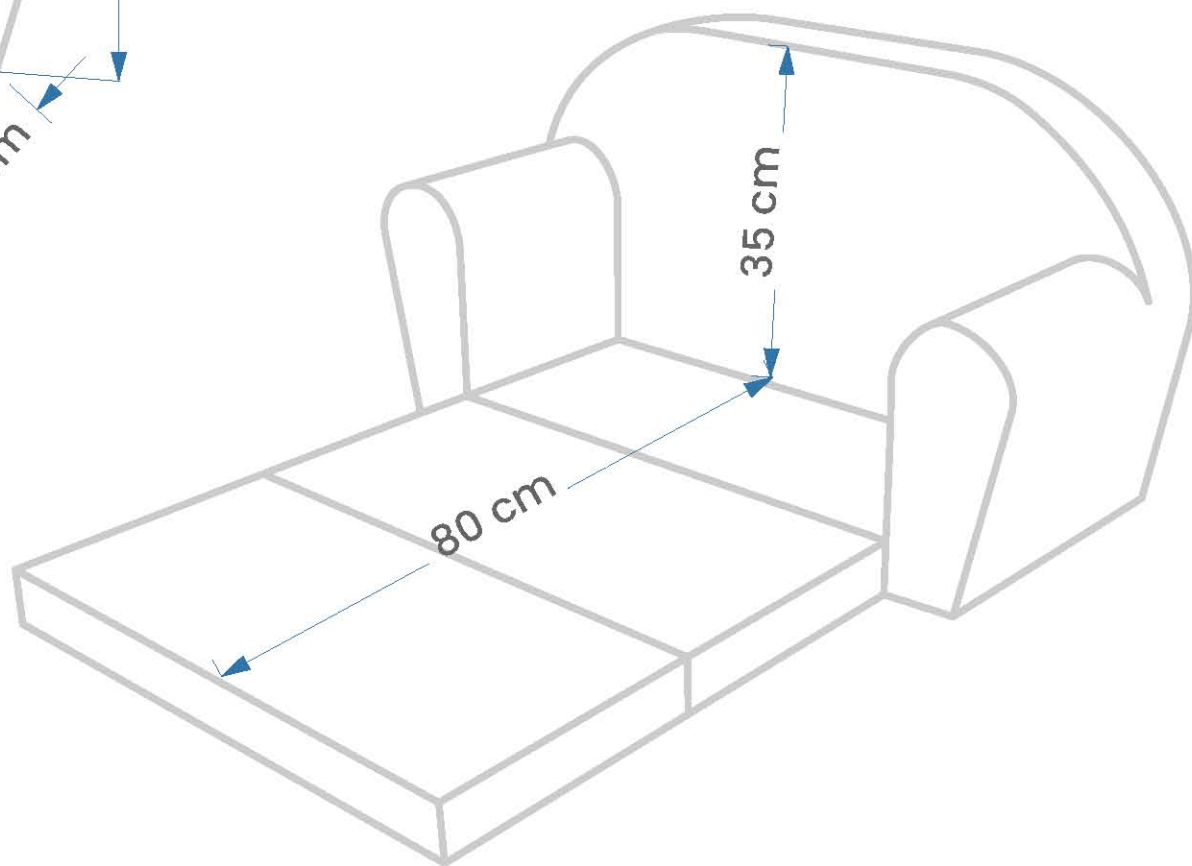


product code SM11





Dimensions 42x78x35 when folded,  
80cm long when it is unfolded;  
weight 2 kg.



Custom sizes  
on special request.



PACKED IN POLYBAG  
AND CARDBOARD BOX

Sofas suitable for children from 10 months to 4 years.  
For safety reasons, use under supervision.



FIREPROOF  
POLYURETHANE  
FOAM



COVER 100% COTTON



REMOVABLE COVER  
WITH ZIPPER

**OEKO-TEX®**  
CONFIDENCE IN TEXTILES  
**STANDARD 100** 





# FBY ARMCHAIR



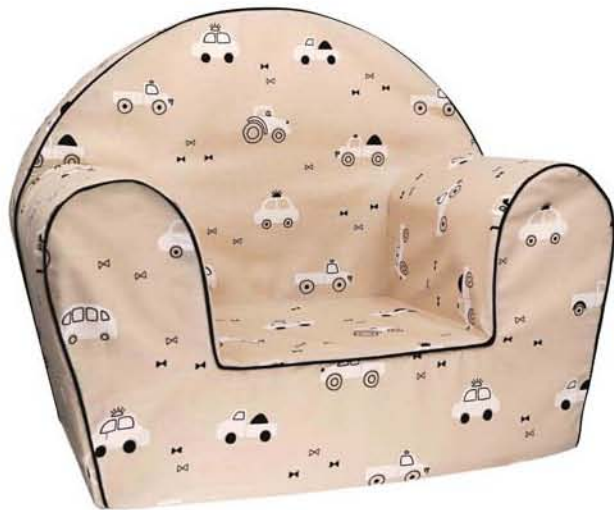
product code FBY66



product code FBY65



product code FBY64



product code FBY67



product code FBY68



product code FBY69





product code FBY47



product code FBY48



product code FBY49



product code FBY50



product code FBY51



product code FBY52



product code FBY53



product code FBY54



product code FBY55



product code FBY56



product code FBY57



product code FBY58





product code FBY59



product code FBY70



product code FBY72



product code FBY62



product code FBY14



product code FBY63



product code FBY17



product code FBY5





product code FBY41



product code FBY40



product code FBY43



product code FBY45



product code FBY71



product code FBY33



product code FBY32



product code FBY31



product code FBY25





product code FBY21



product code FBY20



product code FBY30



product code FBY23



product code FBY28



product code FBY19



product code FBY3



product code FBY2



product code FBY16



product code FBY39



product code FBY38



product code FBY24



Dimensions:

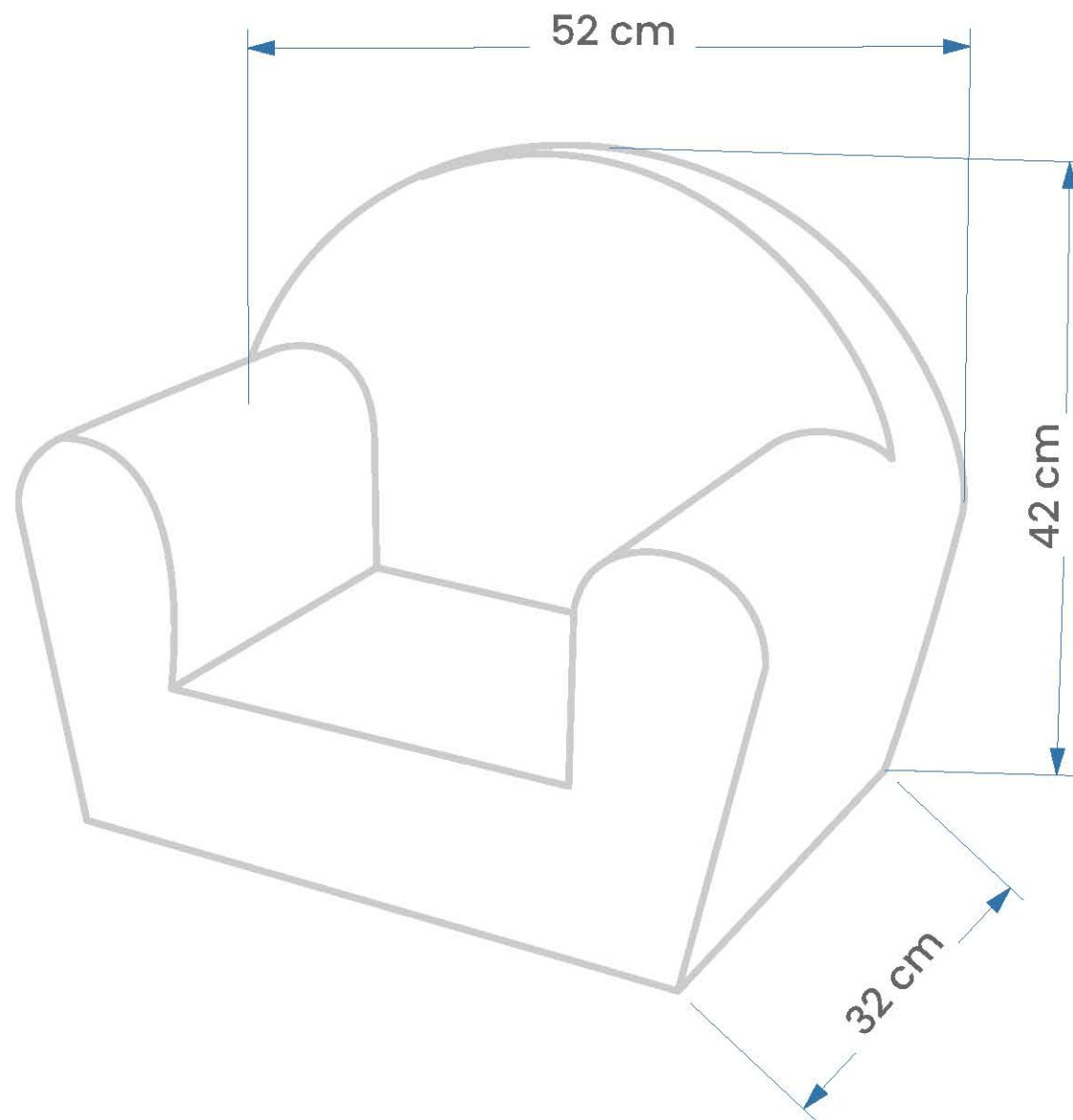
42x52x32 cm, weight 1 kg



Custom sizes  
on special request.



PACKED IN POLYBAG  
AND CARDBOARD BOX



Armchairs suitable for children from 10 months to 4 years.  
For safety reasons, use under supervision.



FIREPROOF  
POLYURETHANE  
FOAM



COVER 100% COTTON



REMOVABLE COVER  
WITH ZIPPER

**OEKO-TEX®**  
CONFIDENCE IN TEXTILES  
**STANDARD 100** 





# FBR FOLDABLE ARMCHAIR



product code FBR01



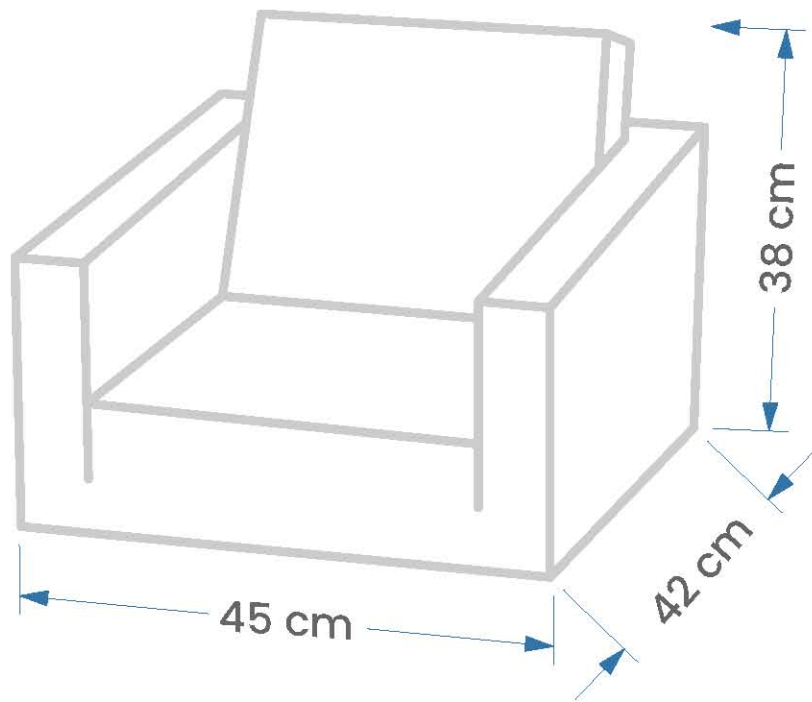
product code FBR02



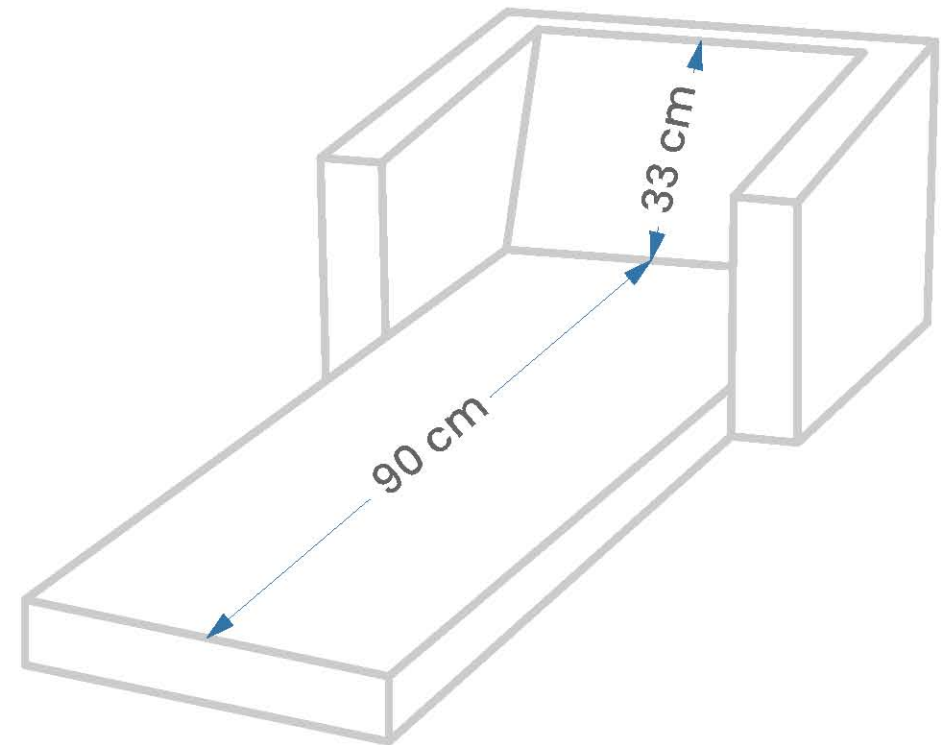
product code FBR03







Dimensions 38x45x42 when folded,  
90cm long when it is unfolded;  
weight 1,2 kg.



Custom sizes  
on special request.



PACKED IN POLYBAG  
AND CARDBOARD BOX

Armchairs suitable for children from 10 months to 4 years.  
For safety reasons, use under supervision.



FIREPROOF  
POLYURETHANE  
FOAM



COVER 100% COTTON



REMOVABLE COVER  
WITH ZIPPER

**OEKO-TEX®**  
CONFIDENCE IN TEXTILES  
**STANDARD 100** 





# ZROBO ROBOSET



product code ZROBO2

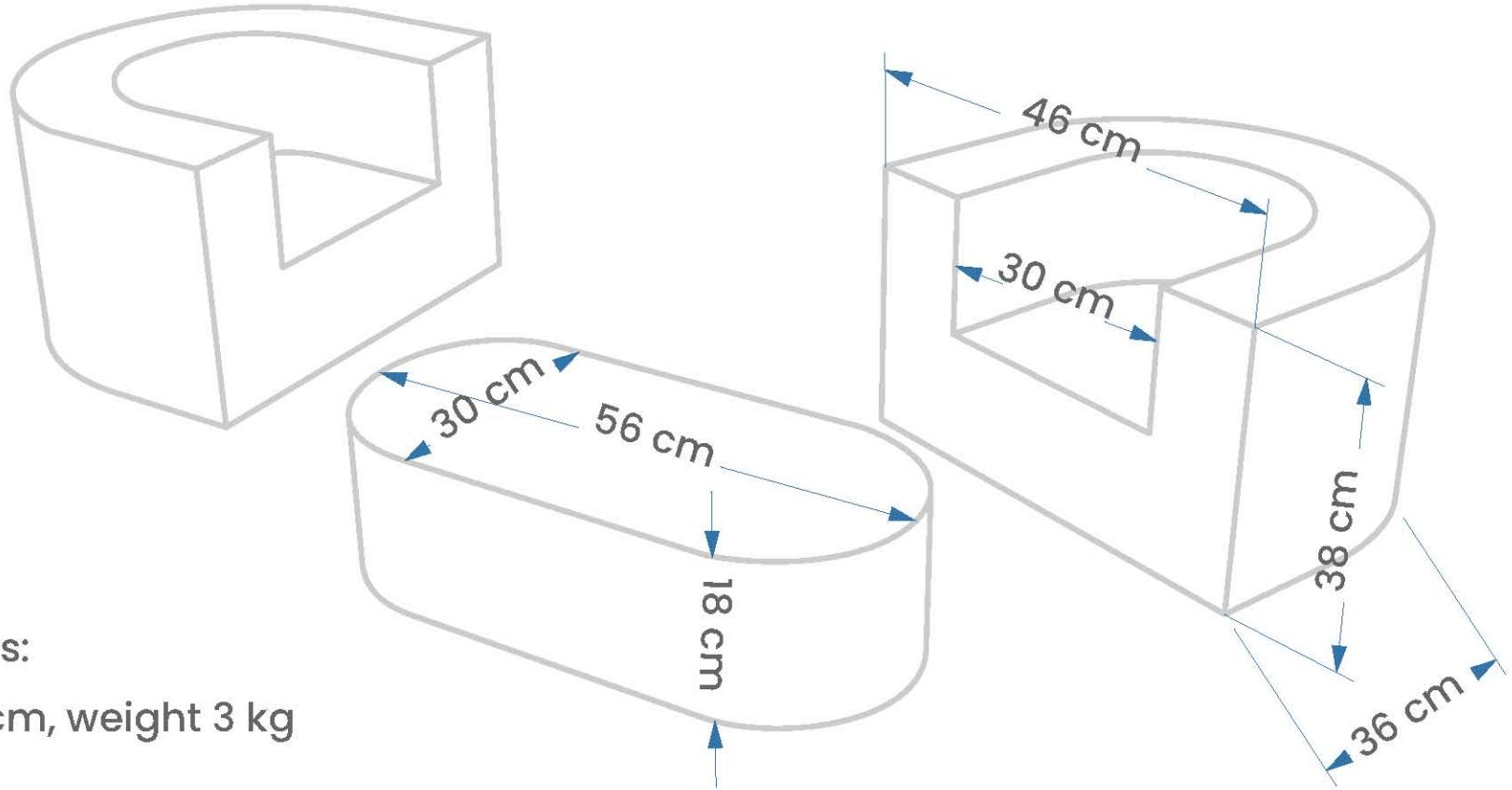


product code ZROBO1









Dimensions:

72x46x38 cm, weight 3 kg



Custom sizes  
on special request.



PACKED IN POLYBAG  
AND CARDBOARD BOX



Sets suitable for children from 10 months to 4 years of age.  
For safety reasons, use under supervision.



FIREPROOF  
POLYURETHANE  
FOAM



COVER 100% COTTON



REMOVABLE COVER  
WITH ZIPPER

**OEKO-TEX®**  
CONFIDENCE IN TEXTILES  
**STANDARD 100** 



**[WWW.TEX-IM.PL](http://WWW.TEX-IM.PL)**

[kontakt@tex-im.pl](mailto:kontakt@tex-im.pl)

**+48 508 275 374**

**+48 508 923 000**